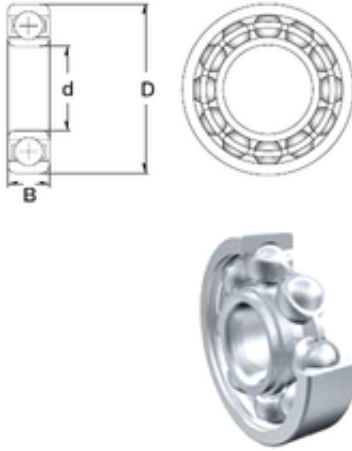




# ISB BEARING USA CO., LTD.

260 mm x 360 mm x 46 mm ZEN 61952 deep groove ball bearings



Bearing No. 61952

Size	260x360x46 mm
Bore Diameter	260 mm
Outer Diameter	360 mm
Width	46 mm
d	260 mm
D	360 mm
B	46 mm
C	46 mm
Basic dynamic load rating (C)	163 kN
Basic static load rating (C0)	200 kN
(Grease) Lubrication Speed	1600 r/min

61952 Bearing 2D drawings and 3D CAD models