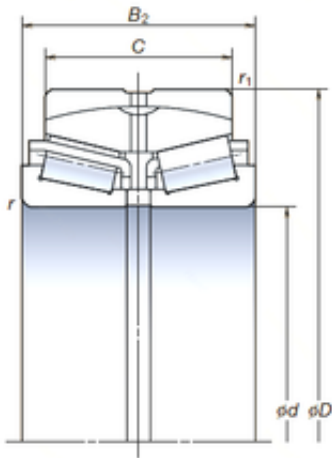




ISB BEARING USA CO., LTD.



160 mm x 240 mm x 80 mm NSK AR160-11 tapered roller bearings

Bearing No. AR160-11

Size	160x240x80 mm
Bore Diameter	160 mm
Outer Diameter	240 mm
Width	80 mm
d	160 mm
D	240 mm
B	80 mm
C	65 mm
r min.	2,1 mm
r1 min.	2,1 mm
Basic dynamic load rating (C)	455 kN

AR160-11 Bearing 2D drawings and 3D CAD models