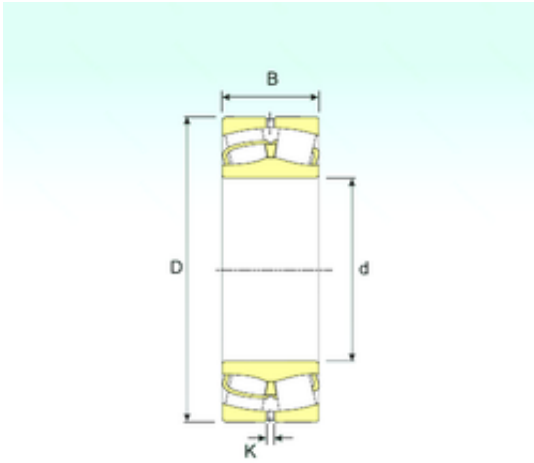




ISB BEARING USA CO., LTD.



160 mm x 240 mm x 80 mm ISB 24032 spherical roller bearings

Bearing No. 24032

Size	160x240x80 mm
Bore Diameter	160 mm
Outer Diameter	240 mm
Width	80 mm
d	160 mm
D	240 mm
B	80 mm
C	80 mm
K	4,5 mm
Weight	13 Kg
Basic dynamic load rating (C)	735 kN
Basic static load rating (C0)	1176 kN
(Grease) Lubrication Speed	1836 r/min

24032 Bearing 2D drawings and 3D CAD models