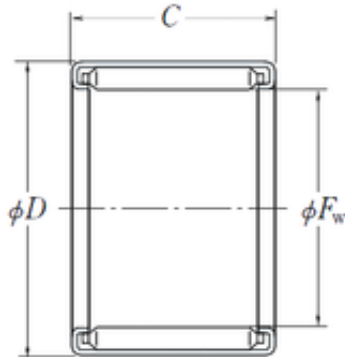




ISB BEARING USA CO., LTD.

NSK FH-1212 needle roller bearings



Bearing No. FH-1212

| | |
|-------------------------------|-------------|
| Size | 12x18x12 mm |
| Bore Diameter | 12 mm |
| Outer Diameter | 18 mm |
| Width | 12 mm |
| Fw | 12 mm |
| D | 18 mm |
| C | 12 mm |
| Weight | 0,01 Kg |
| Basic dynamic load rating (C) | 9 kN |
| (Grease) Lubrication Speed | 4500 r/min |
| NB-DI | 0 |
| NA-DEX | 16.453 |
| hidYobi | FH-1212 |
| LangID | 1 |
| D_ | 18 |
| NC-SLR | 10.11 |
| B_ | 12.5 |
| n_yobi | FIR-081212 |
| hidTable | ecat_NSDCNR |
| mass_k | 10 |
| d1 | 8 |
| GRS rpm | 4500 |
| ra | 0.3 |
| NC-SLR1 | 0 |
| C0 | 12.267 |
| C1 | 12 |

FH-1212 Bearing 2D drawings and 3D CAD models



ISB BEARING USA CO., LTD.

| Prod_Type3 | NRB_DC_F-MF_FC_OT |
|------------|-------------------|
| da | 10 |
| d | 8 |
| NC-RAC | 0 |
| Pmax | 5700 |
| N-SDM | 0 |
| yobi | FH-1212 |
| C1_C2 | 1.9 |
| ND-Z | 0 |
| OIL rpm | 7500 |
| NC-DA | 2.22 |
| N-KBRG | 8200 |
| NC-KMS | 20 |
| B1 | 12.5 |